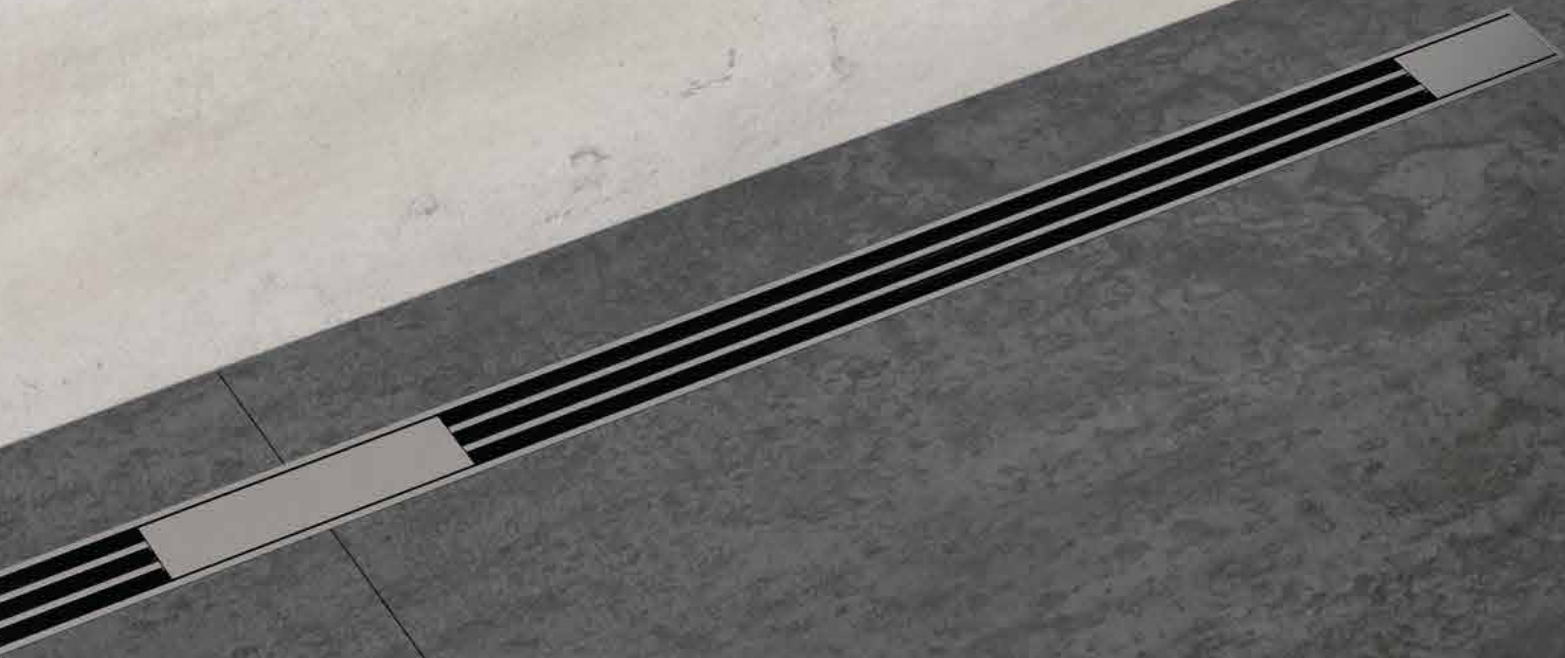




Next level
bathroom
business
solutions



GERMAN
INNOVATION
QUALITY

SHOWER DRAINS GENERAL CATALOG

2024



Next level
bathroom
business
solutions

As a new and dynamic era is coming, we decided to create something new and refreshing in the sanitary industry. We all strive for personal and business efficiency, so WEBE is our effort to present ourselves to the world at our best.

We are focused on the production of linear shower drains where we have a large selection of models that are technically and design suitable for the most demanding requirements.

Based on the investment, knowledge and technology of the German company of the same name, which has many years of experience in the bathroom industry with a focus on the production of shower drains, we bring value to our customers by applying our advanced research and development and design expertise in creating new and exciting products for the global market.

Our key strength is knowledge and flexibility. We are focused on bringing value to all our partners and consumers with a specific approach to the needs and preferences of each market.



Contents

4	Manufacturing technology
6	Double drainage system
8	Refreshing design
9	Easy installation and maintenance
10	WEBE DRAIN MODEL BASIC
14	WEBE DRAIN RAIN
18	WEBE DRAIN MODEL 2
22	WEBE DRAIN SIMPLE BEAUTY
26	WEBE DRAIN SUPERIOR
30	WEBE DRAIN MODEL 5
34	WEBE DRAIN MODEL 6
38	WEBE DRAIN DESIGNER LUX
42	WEDI - Next level bathroom business solutions

Manufacturing technology

Based on 10 years of experience in the shower drains industry worldwide and 2 years of R&D process we have decided to use the following technologies which give us solid ground for worldwide positioning.

Injection molding

Injection molding of plastic with high-quality modular molds ensures that every piece is the same and gives us an opportunity to manufacture huge numbers of products from day one. Also plastic gives us flexibility in matter of shapes, plumbing connections, and sizes which was critical for our decision to manufacture our products from ABS and PP material.



Ultrasonic welding

When we wanted to solve how to perfectly connect 2 pcs of plastic, ultrasonic welding came as the most reliable and clean solution to do the job. This was one of the most important technical tasks for us so we decided to use the best machines in the business to get 100% technically and aesthetically accurate welding surface.



Laser technology

For our metal parts we have decided to use only laser technology for all our processes of cutting, welding, and engravings on our products' stainless steel parts. Although this technology is more expensive compared to traditional metal shaping technologies it allows us to have the perfect final touch on the product and high manufacturing capability.

Blister vacuum forming

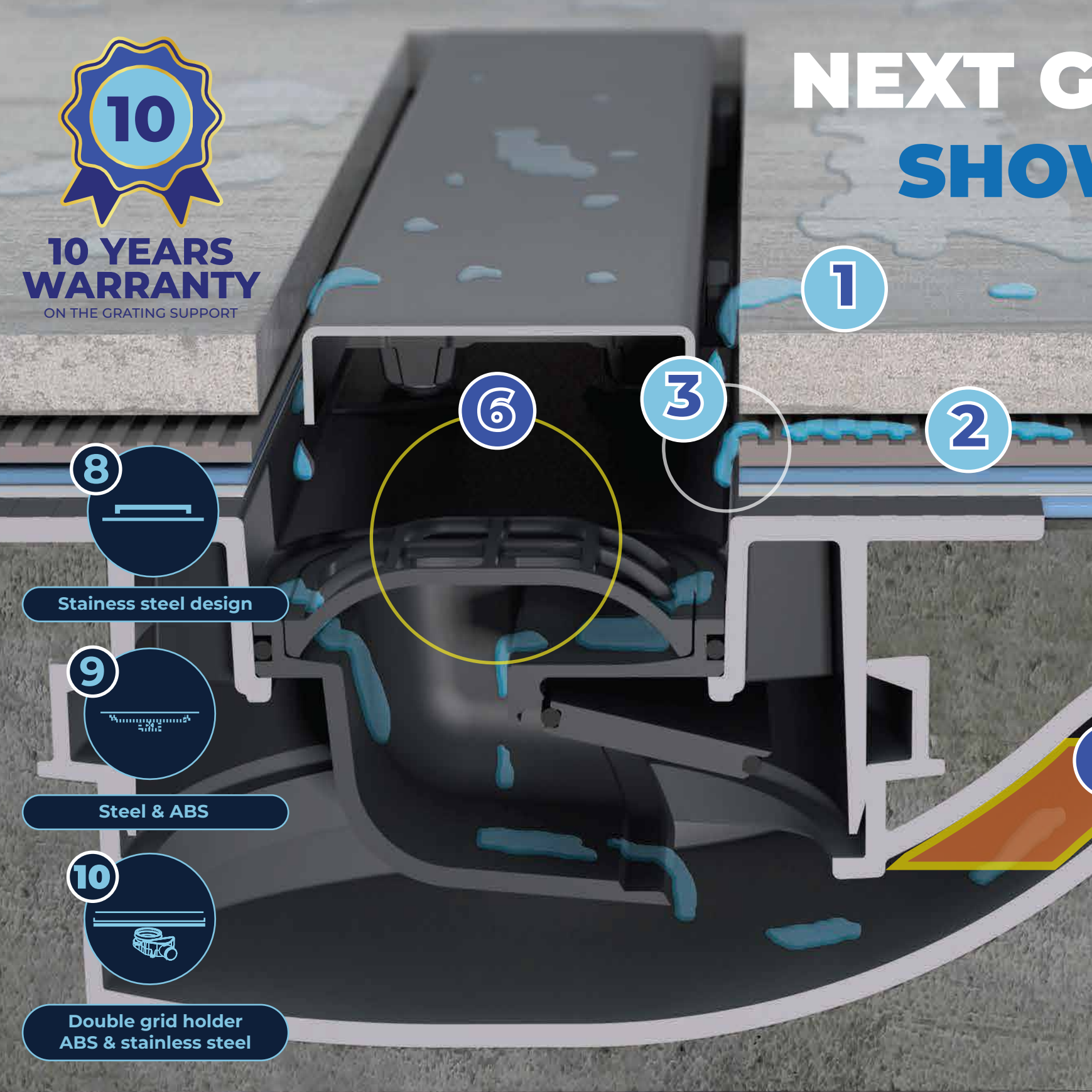
We have been following the needs of our clients, especially from Hardware shops and the DIY sector so we have decided to invest also in a Vacuum Forming Machine where now we have the capability to put all of our products inside of transparent PET blisters no matter the size, shape, or color of the product. Together with ultrasonic welding, it creates unlimited flexibility regarding packing and displaying our complete product portfolio.





10 YEARS WARRANTY
ON THE GRATING SUPPORT

**NEXT GEN
SHOW**



Stainless steel design



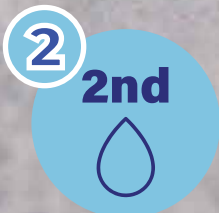
Steel & ABS



**Double grid holder
ABS & stainless steel**



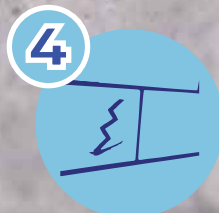
Primary water coming



Secondary water under the tiles



Double drainage



Grout cracking

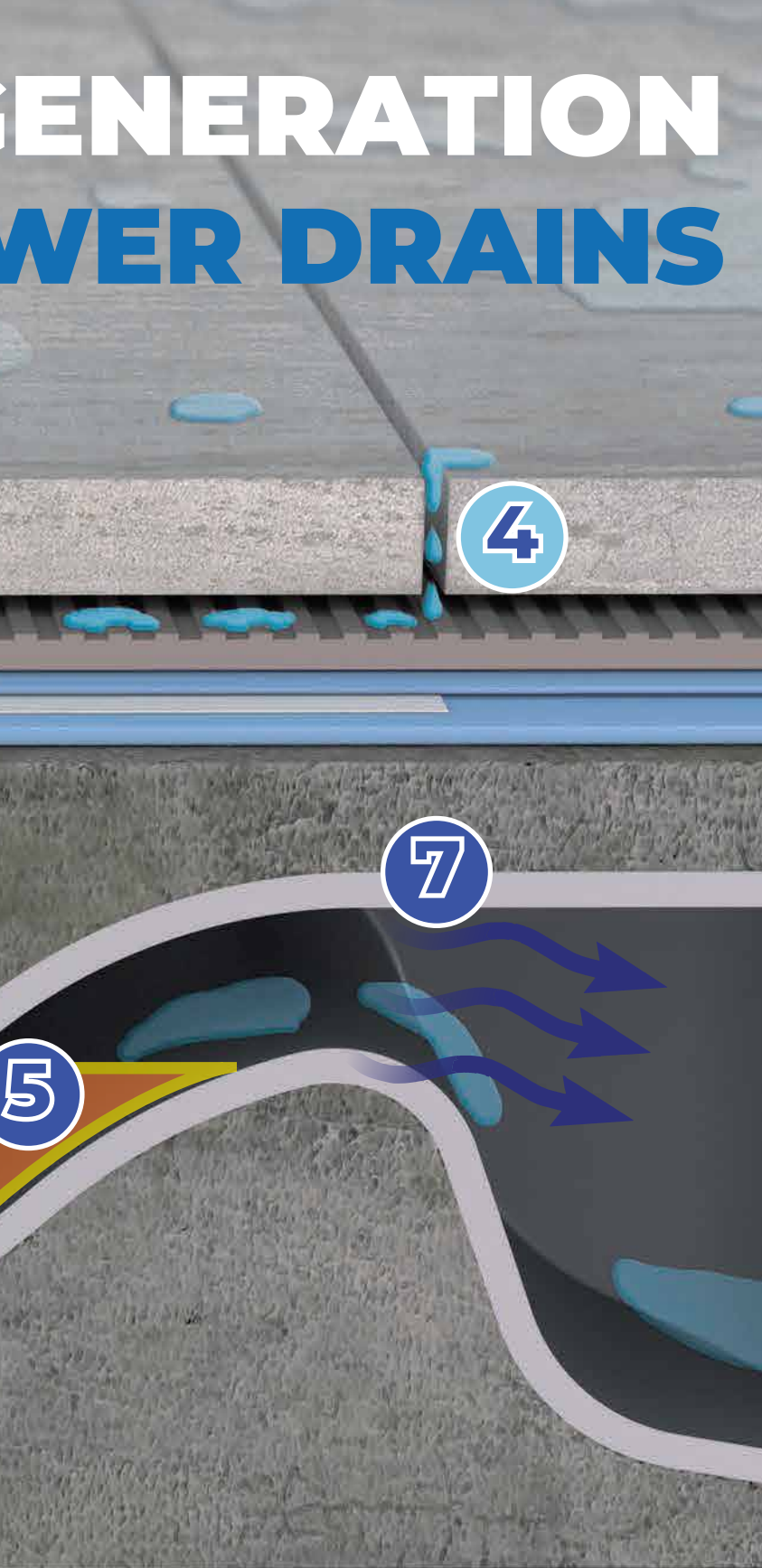


1 - water siphon

GENERATION WER DRAINS

DOUBLE DONBTE

Next-generation draining system with superb improvements in the form of double siphon, double drainage and ultimate flow rate resolving all bathroom drainage-related challenges.



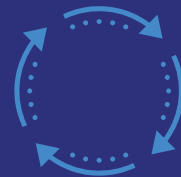
Grid height adjustable up to 25mm
fits any ceramic-marble tile



Stainless steel & ABS
double durability standard



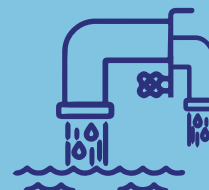
High flow rate
2x less cleaning



Double siphon



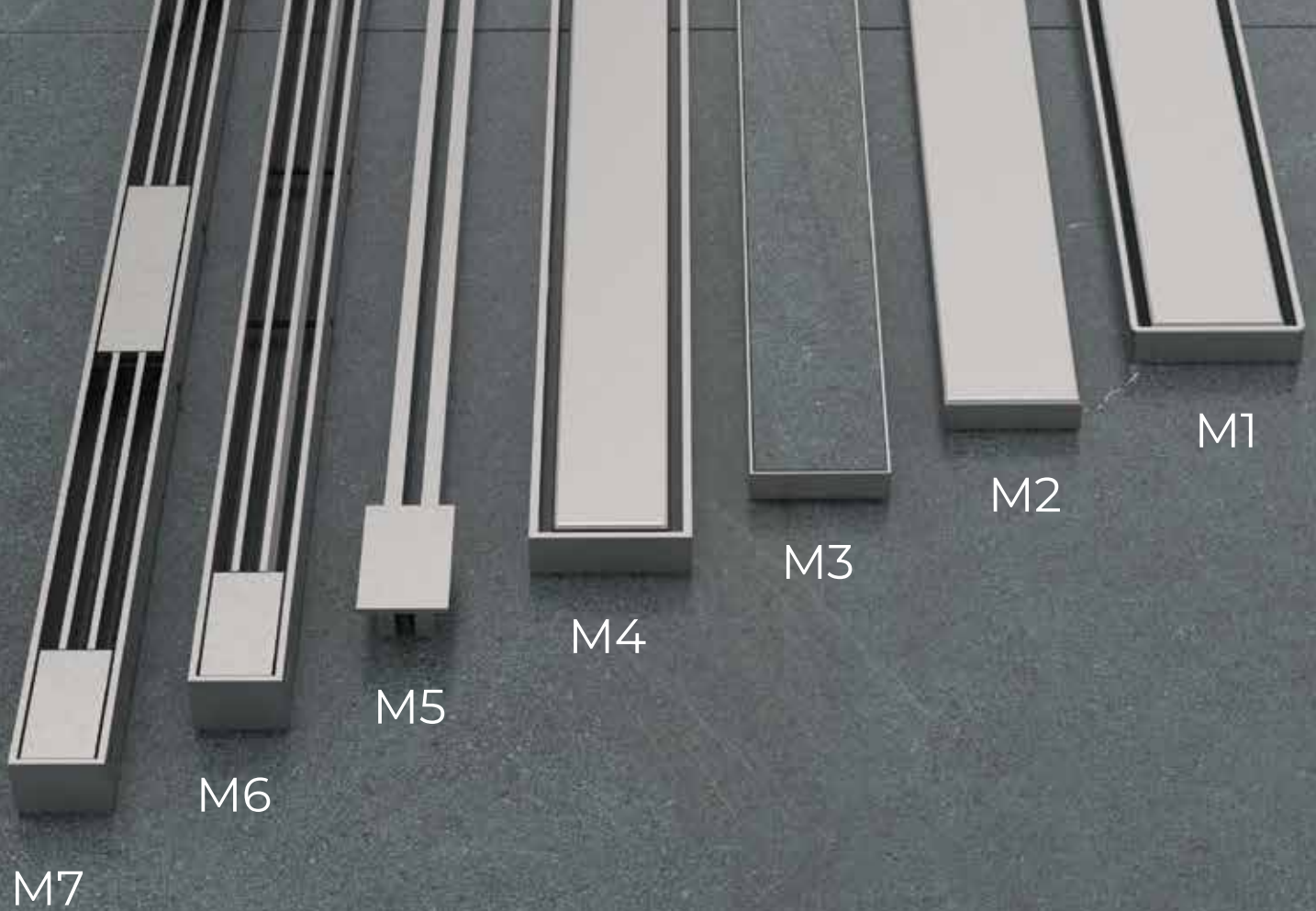
Double drainage



2 - dry siphon



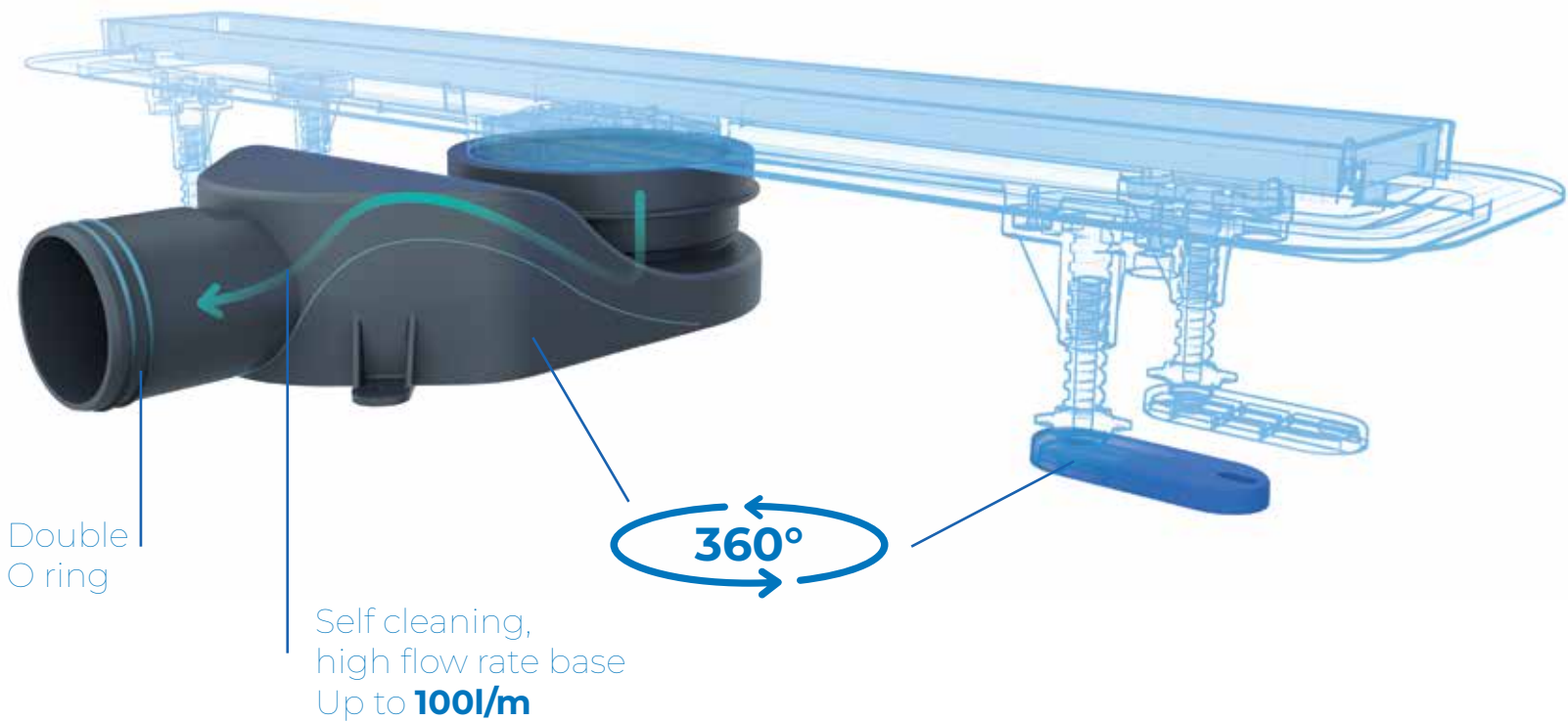
2x bigger
flow rate



Refreshing design

We offer a huge variety of different grid designs which both technically and design wise fit all of our client needs. Our models also implemented two in one reversible grating system so you can change the design of your bathroom as it suits you.

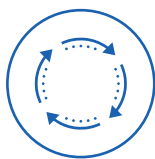
Easy installation and maintenance



When we were thinking about professional's and end users we have decided to use basic fundamentals in engineering and to create product which you can assemble in under one minute and which have high flow rate and self-cleaning siphon. This properties give unique value to everybody who is using our products and they are represented in every of our models.



WEBE
DRAIN
BASIC



Flow rate



Double siphon



Installation height



Two in one reversible grating

WEBE DRAIN BASIC Main advantages

- Flow rate up to **100l/min, 55l/min** (double siphon)
- **Double siphon** . Dry and water combined.
- **58 mm** installation height
- Two in one **reversible grating**
- **Easy** installation and maintenance
- **Base rotation 360°**

PRODUCT NAME	WEBE DRAIN MODEL 0 600	WEBE DRAIN MODEL 0 700	WEBE DRAIN MODEL 0 800	WEBE DRAIN MODEL 0 900	WEBE DRAIN MODEL 0 1000
Dimensions	600 mm	700 mm	800 mm	900 mm	1000 mm
PRODUCT CODE	WDM0600	WDM0700	WDM0800	WDM0900	WDM01000

WEBE DRAIN BASIC





HIGH FLOW RATE UP TO
100 L/MIN, 55L/MIN

2 TIMES LESS CLEANING.

**DOUBLE SIPHON,
DOUBLE PROTECTION.**

WATER & DRY SIPHON COMBINED
IN ONE PRODUCT.

**ONLY 58mm
INSTALLATION HEIGHT**

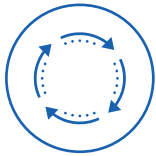
PERFECT SOLUTION FOR ALL
RENOVATION PROJECTS.

**TWO IN ONE
REVERSABLE GRATING**

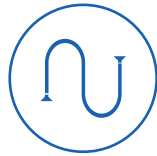
FLEXIBLE STAINLESS STEEL AND
CERAMIC FINISH IN THE SAME
PRODUCT.



WEBE
DRAIN
RAIN



Flow rate



Double siphon



Installation height



Two in one reversible grating

WEBE DRAIN RAIN Main advantages

- Flow rate up to **100l/min, 55l/min** (double siphon)
- **Double siphon** . Dry and water combined.
- **58 mm** installation height
- Two in one **reversible grating**
- **Easy** installation and maintenance
- **Base rotation 360°**

PRODUCT NAME	WEBE DRAIN MODEL 1 600	WEBE DRAIN MODEL 1 700	WEBE DRAIN MODEL 1 800	WEBE DRAIN MODEL 1 900	WEBE DRAIN MODEL 1 1000
Dimensions	600 mm	700 mm	800 mm	900 mm	1000 mm
PRODUCT CODE	WDM1600	WDM1700	WDM1800	WDM1900	WDM11000

WEBE DRAIN RAIN





HIGH FLOW RATE UP TO
100 L/MIN, 55L/MIN

2 TIMES LESS CLEANING.

**DOUBLE SIPHON,
DOUBLE PROTECTION.**


WATER & DRY SIPHON COMBINED
IN ONE PRODUCT.

**ONLY 58mm
INSTALLATION HEIGHT**

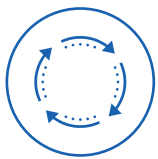
PERFECT SOLUTION FOR ALL
RENOVATION PROJECTS.

**TWO IN ONE
REVERSABLE GRATING**

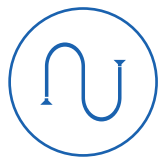
FLEXIBLE STAINLESS STEEL AND
CERAMIC FINISH IN THE SAME
PRODUCT.



WEBE
DRAIN
MODEL 2



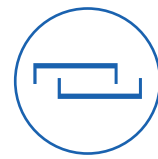
Flow rate



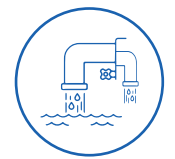
Double siphon
Dry and water combined



Installation height



Two in one reversible grating



Double drainage system

WEBE DRAIN MODEL 2 Main advantages

- Flow rate up to **80l/min** , **50l/min** (double siphon)
- **Double siphon**. Dry and water combined.
- **65 mm** installation height
- Two in one **reversible grating**
- Double drainage system
- **Base rotation 360°**

PRODUCT NAME	WEBE DRAIN MODEL 2 600	WEBE DRAIN MODEL 2 700	WEBE DRAIN MODEL 2 800	WEBE DRAIN MODEL 2 900	WEBE DRAIN MODEL 2 1000
Dimensions	600 mm	700 mm	800 mm	900 mm	1000 mm
PRODUCT CODE	WDM2600	WDM2700	WDM2800	WDM2900	WDM21000

WEBE DRAIN **MODEL 2**





Hair filter

Self-adhesive
waterproofing
butyl tape

HIGH FLOW RATE UP TO
80L/MIN, 50L/MIN

2 TIMES LESS CLEANING.

**DOUBLE DRAINAGE
SYSTEM**

**DOUBLE SIPHON,
DOUBLE PROTECTION.**

WATER & DRY SIPHON COMBINED
IN ONE PRODUCT.

**ONLY 65mm
INSTALLATION HEIGHT**

PERFECT SOLUTION FOR ALL
RENOVATION PROJECTS.

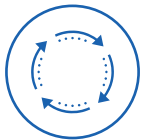
**TWO IN ONE
REVERSABLE GRATING**

FLEXIBLE STAINLESS STEEL AND
CERAMIC FINISH IN THE SAME
PRODUCT.



WEBE
DRAIN

SIMPLE BEAUTY



Flow rate



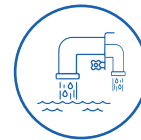
Double siphon
Dry and water combined



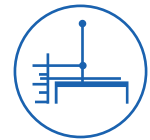
Installation height



Two in one
reversible grating



Double
drainage system



Grid height adjustable up to 25mm
fits any ceramic-marble tile

WEBE DRAIN SIMPLE BEAUTY

Main advantages

- Flow rate up to **80l/min, 50l/min** (double siphon)
- **Double siphon**. Dry and water combined.
- **65 mm** installation height
- Two in one **reversible grating**
- Double drainage system
- Height adjustment of grid **up to 25 mm**
- **Base rotation 360°**

PRODUCT NAME	WEBE DRAIN MODEL 3 600	WEBE DRAIN MODEL 3 700	WEBE DRAIN MODEL 3 800	WEBE DRAIN MODEL 3 900	WEBE DRAIN MODEL 3 1000
Dimensions	600 mm	700 mm	800 mm	900 mm	1000 mm
PRODUCT CODE	WDM3600	WDM3700	WDM3800	WDM3900	WDM31000

WEBE DRAIN **SIMPLE BEAUTY**



2 in 1

Grating

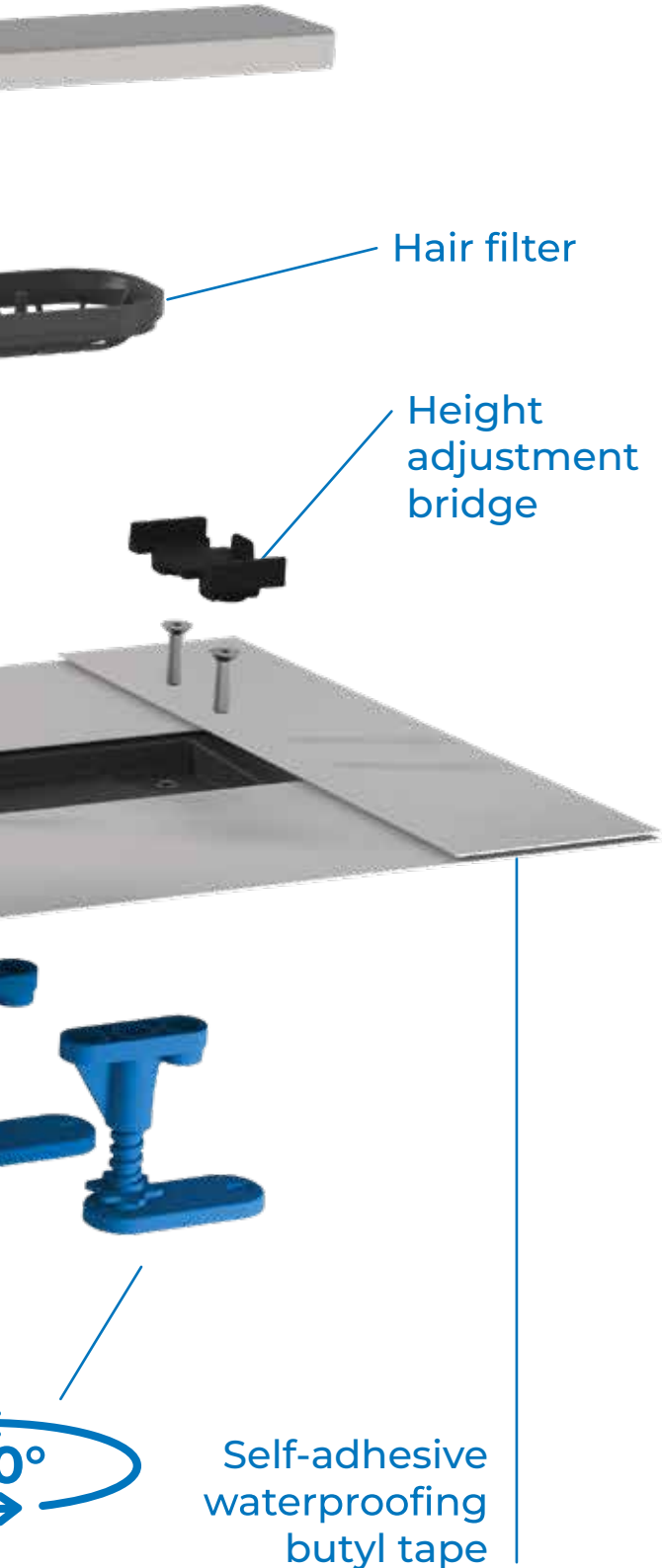
Dry siphon

Waterproofing flange

Height adjustment legs

Extra low S-Siphon

360°



Hair filter

Height adjustment bridge

Self-adhesive waterproofing butyl tape

HIGH FLOW RATE UP TO **80L/MIN, 50L/MIN**
2 TIMES LESS CLEANING.

DOUBLE GRID HOLDER

DOUBLE DRAINAGE SYSTEM

DOUBLE SIPHON, DOUBLE PROTECTION.

WATER & DRY SIPHONE COMBINED IN ONE PRODUCT.

ONLY 65mm INSTALLATION HEIGHT

PERFECT SOLUTION FOR ALL RENOVATION PROJECTS.

TWO IN ONE REVERSABLE GRATING

FLEXIBLE STAINLESS STEEL AND CERAMIC FINISH IN THE SAME PRODUCT.

HEIGHT ADJUSTMENT OF THE GRID

MODEL HAS THE POSSIBILITY TO ADJUST TO ANY BATHROOM FLOOR THICKNESS UP TO 25mm.



WEBE DRAIN **SUPERIOR**





Flow rate



Double siphon
Dry and water combined



Installation height



Double
drainage system



Double grid holder
ABS & stainless steel



Two in one
reversible grating



Grid height adjustable up to 25mm
fits any ceramic-marble tile

WEBE DRAIN SUPERIOR Main advantages

- Flow rate **80l/min, 50l/min** (double siphon)
- **Double siphon.** Dry and water combined.
- **65 mm** installation height
- Two in one **reversible grating**
- Double drainage system
- Height adjustment of grid **up to 25mm**
- **Double grid holder**
- **Base rotation 360°**

PRODUCT NAME	WEBE DRAIN MODEL 4 600	WEBE DRAIN MODEL 4 700	WEBE DRAIN MODEL 4 800	WEBE DRAIN MODEL 4 900	WEBE DRAIN MODEL 4 1000
Dimensions	600 mm	700 mm	800 mm	900 mm	1000 mm
PRODUCT CODE	WDM4600	WDM4700	WDM4800	WDM4900	WDM41000

WEBE DRAIN SUPERIOR

2 in 1 Grating

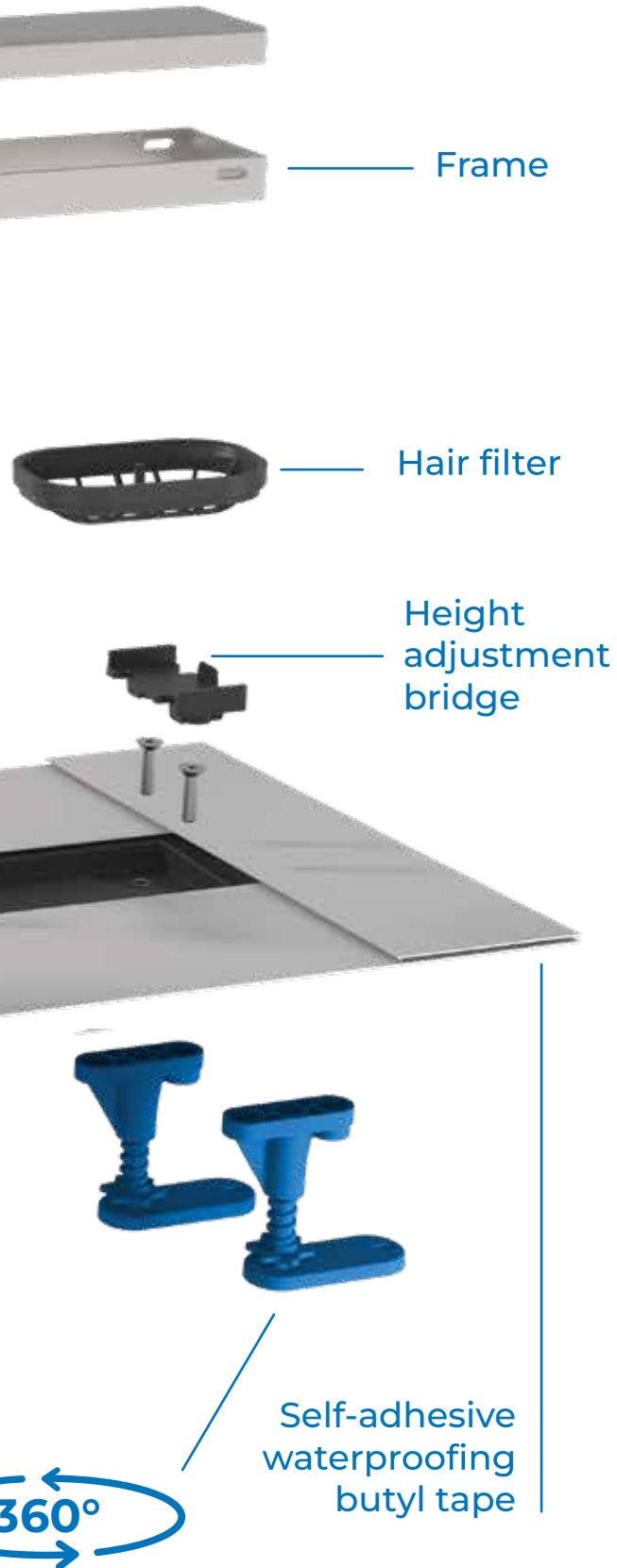


Dry siphon

Waterproofing flange

Height adjustment legs

Extra low S-Siphon



**HIGH FLOW RATE UP TO
80L/MIN, 50L/MIN**

2 TIMES LESS CLEANING.

DOUBLE GRID HOLDER

**DOUBLE DRAINAGE
SYSTEM**

**DOUBLE SIPHON,
DOUBLE PROTECTION.**

WATER & DRY SIPHONE COMBINED
IN ONE PRODUCT.

**ONLY 65mm
INSTALLATION HEIGHT**

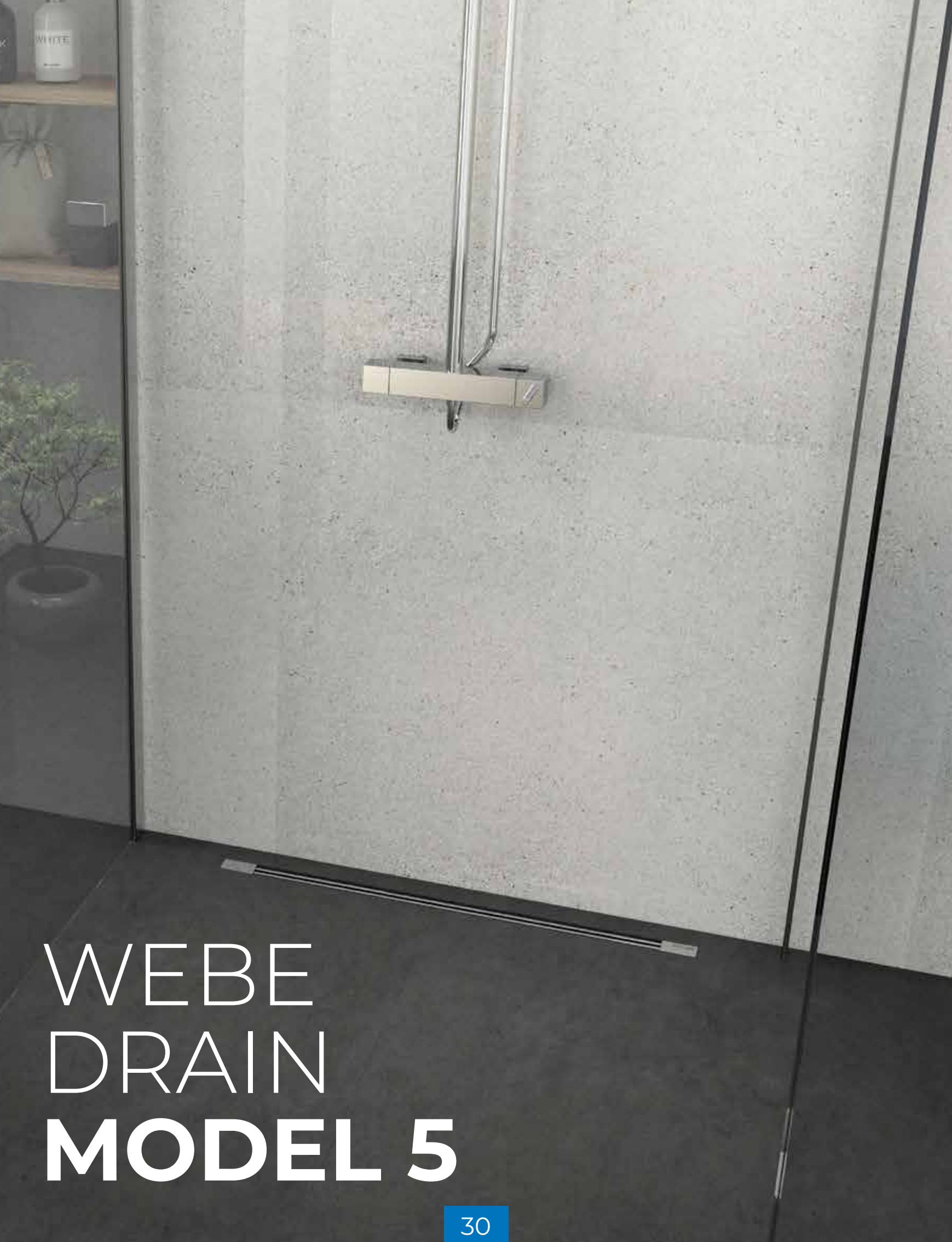
PERFECT SOLUTION FOR ALL
RENOVATION PROJECTS.

**TWO IN ONE
REVERSABLE GRATING**

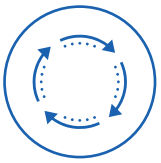
FLEXIBLE STAINLESS STEEL AND
CERAMIC FINISH IN THE SAME
PRODUCT.

**HEIGHT ADJUSTMENT
OF THE GRID**

MODEL HAS THE POSSIBILITY TO
ADJUST TO ANY BATHROOM FLOOR
THICKNESS UP TO 25mm AND
HAS AN INTEGRATED CERAMIC
PROFILE.



WEBE
DRAIN
MODEL 5



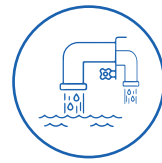
Flow rate



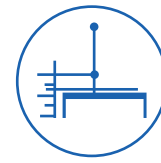
Double siphon
Dry and water combined



Installation height



Double
drainage system



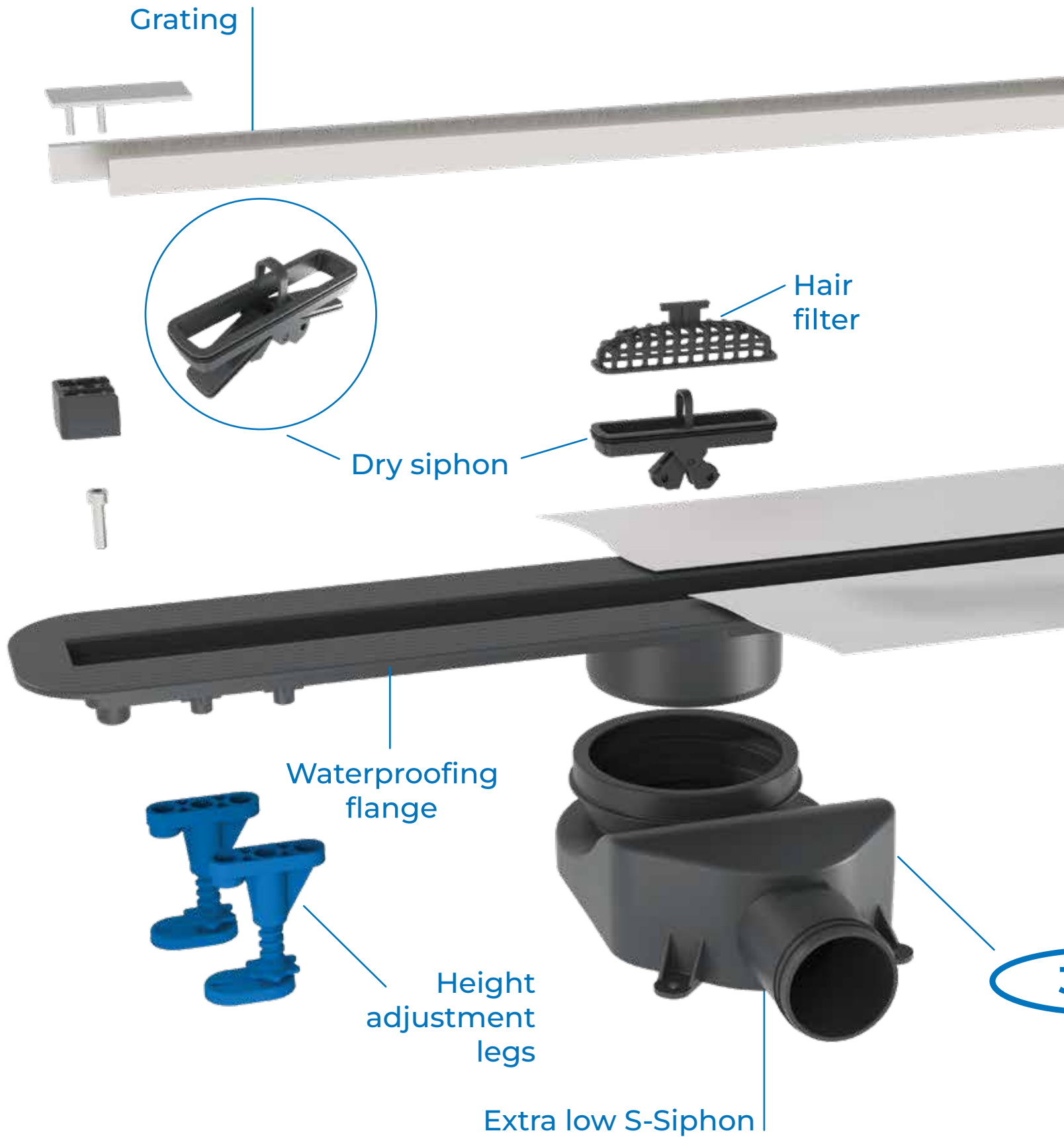
Grid height adjustable up to 25mm
fits any ceramic-marble tile

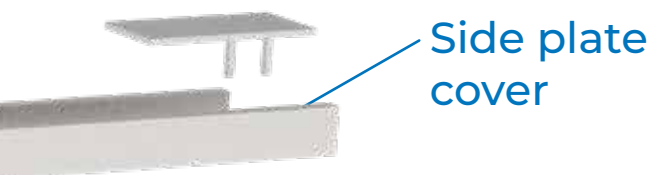
WEBE DRAIN MODEL 5 Main advantages

- Flow rate **45 /min, 40l/min** (double siphon)
- **Double siphon.** Dry and water combined.
- **68 mm** installation height
- Double drainage system
- Height adjustment of grid **up to 25mm**
- **Base rotation 360°**

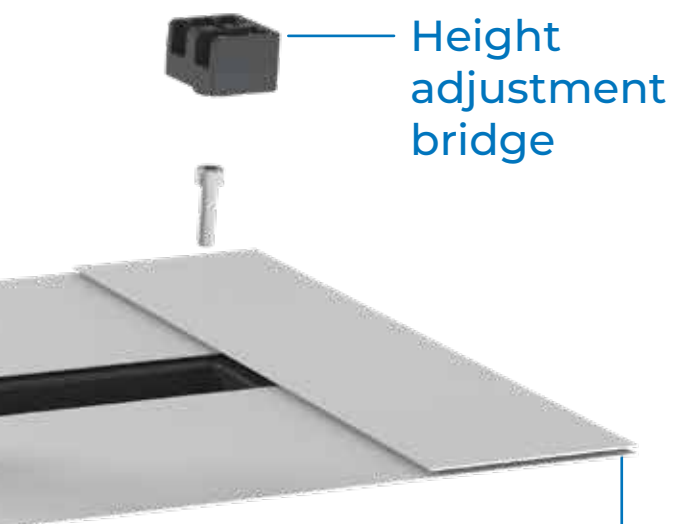
PRODUCT NAME	WEBE DRAIN MODEL 5 600	WEBE DRAIN MODEL 5 700	WEBE DRAIN MODEL 5 800	WEBE DRAIN MODEL 5 900	WEBE DRAIN MODEL 5 1000
Dimensions	600 mm	700 mm	800 mm	900 mm	1000 mm
PRODUCT CODE	WDM5600	WDM5700	WDM5800	WDM5900	WDM51000

WEBE DRAIN **MODEL 5**

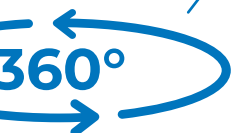




Side plate cover



Height adjustment bridge



Self-adhesive waterproofing butyl tape

DOUBLE DRAINAGE SYSTEM

DOUBLE SIPHON, DOUBLE PROTECTION.

WATER & DRY SIPHON COMBINED IN ONE PRODUCT.

ONLY 68mm INSTALLATION HEIGHT

PERFECT SOLUTION FOR ALL RENOVATION PROJECTS.

SLIM MODEL

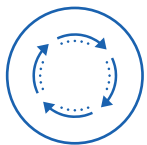
DESIGNER SOLUTION.

HEIGHT ADJUSTMENT OF THE GRID

MODEL HAS THE POSSIBILITY TO ADJUST TO ANY BATHROOM FLOOR THICKNESS UP TO 25mm.



WEBE
DRAIN
MODEL 6



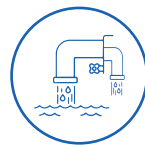
Flow rate



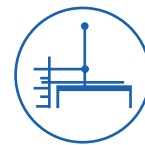
Double siphon
Dry and water combined



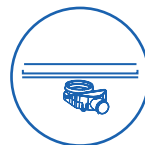
Installation height



Double
drainage system



Grid height adjustable
up to 25mm
fits any ceramic-marble tile



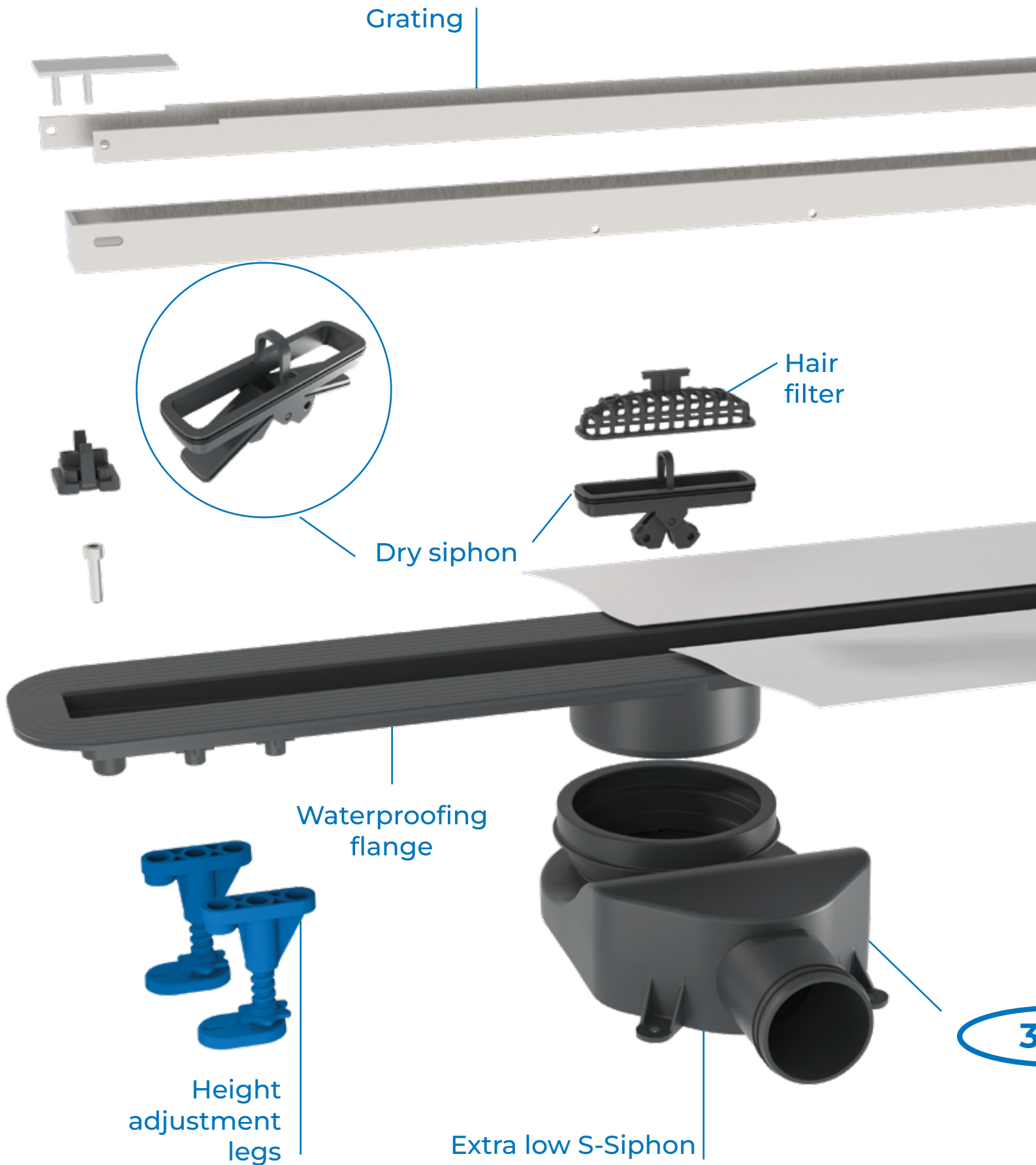
Double grid holder
ABS & stainless steel

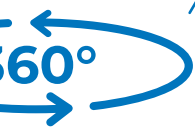
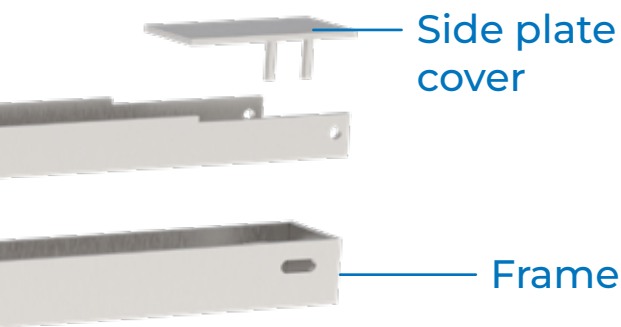
WEBE DRAIN MODEL 6 Main advantages

- Flow rate **45l/min, 40l/min** (double siphon)
- **Double siphon.** Dry and water combined.
- **68 mm** installation height
- Double drainage system
- Height adjustment of grid **up to 25mm**
- **Double grid holder**
- **Base rotation 360°**

PRODUCT NAME	WEBE DRAIN MODEL 6 600	WEBE DRAIN MODEL 6 700	WEBE DRAIN MODEL 6 800	WEBE DRAIN MODEL 6 900	WEBE DRAIN MODEL 6 1000
Dimensions	600 mm	700 mm	800 mm	900 mm	1000 mm
PRODUCT CODE	WDM6600	WDM6700	WDM6800	WDM6900	WDM61000

WEBE DRAIN **MODEL 6**





Self-adhesive waterproofing butyl tape

DOUBLE DRAINAGE SYSTEM

DOUBLE SIPHON, DOUBLE PROTECTION.

WATER & DRY SIPHON COMBINED IN ONE PRODUCT.

ONLY 68mm INSTALLATION HEIGHT

PERFECT SOLUTION FOR ALL RENOVATION PROJECTS.

SLIM MODEL

DESIGNER SOLUTION.

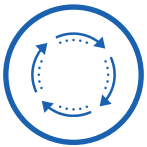
DOUBLE GRID HOLDER

HEIGHT ADJUSTMENT OF THE GRID

MODEL HAS THE POSSIBILITY TO ADJUST TO ANY BATHROOM FLOOR THICKNESS UP TO 25mm



WEBE
DRAIN
DESIGNER LUX



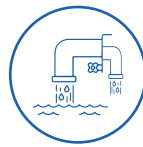
Flow rate



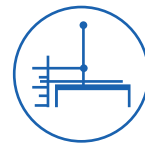
Double siphon
Dry and water combined



Installation height



Double
drainage system



Grid height adjustable
up to 25mm
fits any ceramic-marble tile



Double grid holder
ABS & stainless steel

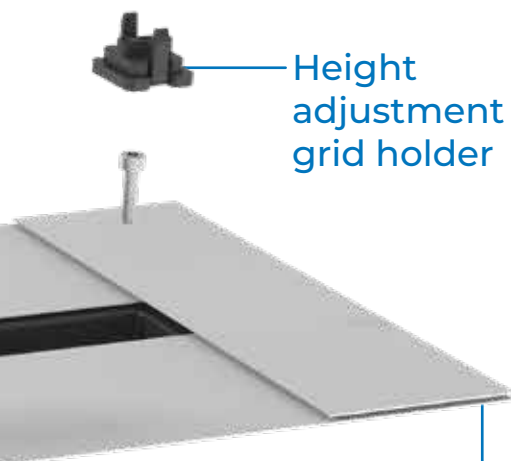
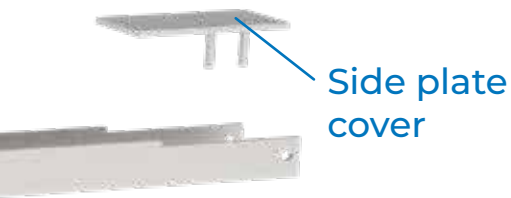
WEBE DRAIN DESIGNER LUX Main advantages

- Flow rate **45l/min, 40l/min** (double siphon)
- **Double siphon.** Dry and water combined.
- **68 mm** installation height
- Double drainage system
- Height adjustment of grid **up to 25mm**
- **Double grid holder**
- **Base rotation 360°**

PRODUCT NAME	WEBE DRAIN MODEL 7 600	WEBE DRAIN MODEL 7 700	WEBE DRAIN MODEL 7 800	WEBE DRAIN MODEL 7 900	WEBE DRAIN MODEL 7 1000
Dimensions	600 mm	700 mm	800 mm	900 mm	1000 mm
PRODUCT CODE	WDM7600	WDM7700	WDM7800	WDM7900	WDM71000

WEBE DRAIN **DESIGNER LUX**





DOUBLE DRAINAGE SYSTEM

DOUBLE GRID HOLDER

DOUBLE SIPHON, DOUBLE PROTECTION.

WATER & DRY SIPHON COMBINED IN ONE PRODUCT.

ONLY 68mm INSTALLATION HEIGHT

PERFECT SOLUTION FOR ALL RENOVATION PROJECTS.

SLIM MODEL

DESIGNER SOLUTION.

HEIGHT ADJUSTMENT OF THE GRID

MODEL HAS THE POSSIBILITY TO ADJUST TO ANY BATHROOM FLOOR THICKNESS UP TO 25mm.

EASY TO CLEAN

WEBE – Next level bathroom business solutions

BRANDING OF PRODUCTS – OEM SPECIALIST

When thinking about the business model we gonna use and which can maximize value for our factory, distributors, professionals, and end users in a short period of time we have decided to be somebody behind the curtain and maximally utilize ours and our partner's strengths. We are focused on product, production, and business development for specific product groups on a global level where we use our worldwide experience to create a tailor-made solution for each of our partners and specific market situations. Our partners use the power of their brand which they have developed and their experience in the sales and distribution of products in a specific market. In combination with these two strengths, we create and add value for our buyers, professionals and end users at a rapid pace.





STRATEGIC POSITIONING , SALES AND MARKETING SUPORT

We offer our partners consultant services for the positioning of our products in specific markets based on our ten-year worldwide experience in marketing and sales of bathroom and plumbing products. We have successfully set up and implemented running businesses in more than 40 countries in Europe, Africa, the Middle East, and India so we have great knowledge of this specific product business development. Our team consists of Export managers, Product managers, Import-Export specialists, Graphic designers, and SEO and Social network managers who are there to support the shaping of our mutual business on the highest level.

PACKING AND MARKING ON DEMAND

We offer a few options for packaging. Branded box, PET blister, and Branded bag with EUR slot and unlimited options for their design. We can also adjust master box packaging and labeling of products as per client's needs so our partners from the first moment have perfectly optimized solutions for the very beginning of our business.



OEM POS AND DIGITAL MARKETING

Either you need displays for showrooms, brand zones, shelves for DIY hardware shops with branding, or individual displays, you name it – we got it. We have prepared solutions for all of this market segment and yours is just to choose what you need and we can prepare it with first delivery with complete branding and language of your country. We offer also the service of designing and printing catalogs, flyers, and promotional material under your brand so we can supply selling points with all needed materials for sales and promotion.



PRODUCT DEVELOPMENT

We have a team of industrial and mechanical engineers who are specialized in the plastic, stainless steel, and wood industries so whatever is made in a bathroom from these materials we can make it together with our partners who are specialized in these materials. We are open to all ideas and opportunities which can arise so you can be assured that you can have a trusted partner in WEBE, the bathroom solutions specialist for your new project.

